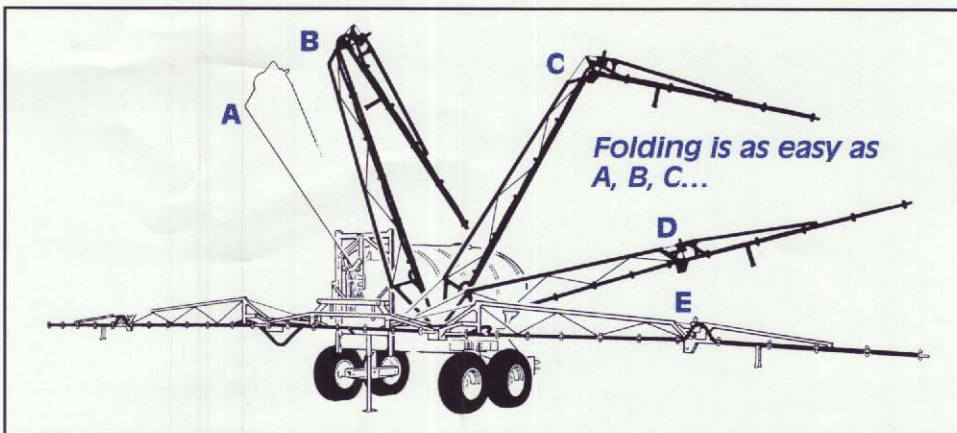


# PRECISION

## SERIES II HYD. FOLD BOOMS

- Spraying Systems nozzle bodies on 20" centres
- Spring loaded cable ride for cushioning
- Outer tip breakaway
- Self Stabilizing
- Supplied with hydraulics and plumbing
- Requires two tractor hydraulic outlets
- Heavy duty truss design



- Fully hydraulic lift and fold
- Transport width of less than 11 feet
- Available in 45' or 60' widths
- Will fit all sprayers

**PRECISION  
INDUSTRIES**

### Options

- 3 pt. hitch mounting bracket
- Triple nozzle bodies
- Various nozzle spacings
- Electric Controls
- Foam Markers
- 3 boom filter kits



**PRECISION INDUSTRIES GUELPH LTD.**

RR 3, P.O. Box 3613, Guelph, Ontario, Canada N1H 6P1, Phone (519) 763-2400, Fax (519) 763-3930

[www.precisionindustriesltd.com](http://www.precisionindustriesltd.com)